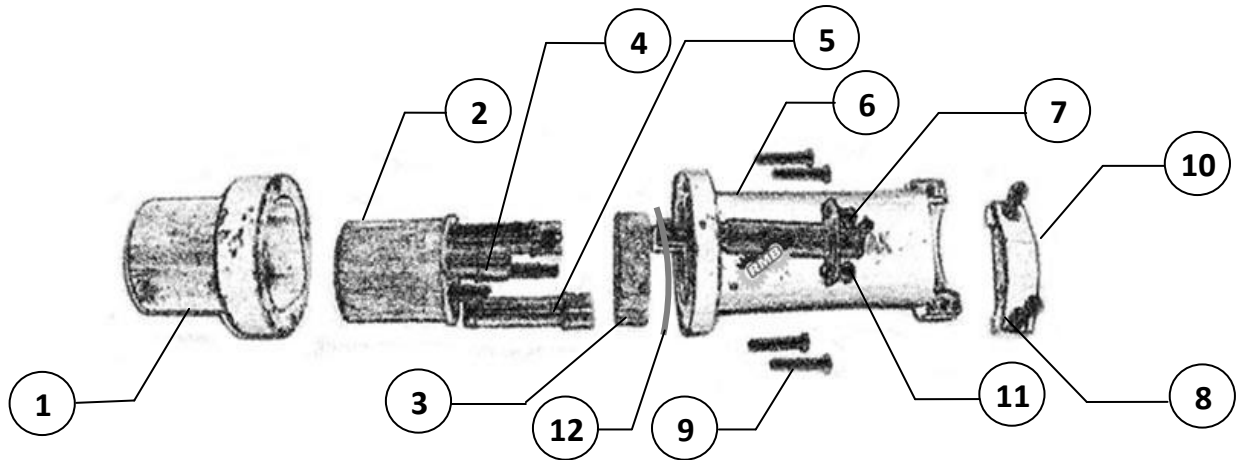




DC Connector 56 VDC

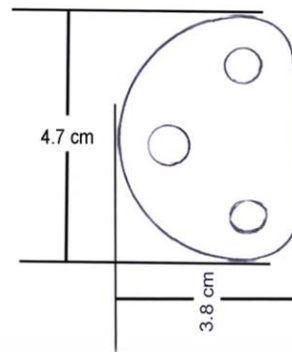
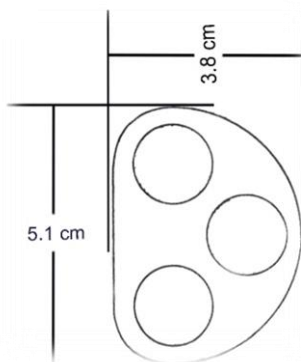
Part Nr. 786RMBFCU90-91



Advantages

- ❏ Extra Rugged Design
- ❏ Affordable- make your own or repair cable assemblies on line
- ❏ Silver Plated Quad beam copper contacts 1, 2, 3 are precisely set to ensure consistent mating forces over thousands of cycles.
- ❏ Floating contacts have Stainless Steel springs 2, 3 engineered to hold even on undersize pins and under extreme temperatures and loading.
- ❏ Plug body is molded from specially formulated high quality rubber with superior abrasion and chemical resistance.

Dimensions



Insulators





R.M.B Enterprises

A Name to Trust

Part List

Sr. No.	Part Number	Description	Qty.
1.	786RMBFCU90-91-01	Main Insulator Housing	1
2.	786RMBFCU90-91-02	Main Insulator	1
3.	786RMBFCU90-91-03	Pin Holder Insulator	1
4.	786RMBFCU90-91-04	Signal Female Conductor	3
5.	786RMBFCU90-91-05	Power Female Conductor	3
6.	786RMBFCU90-91-06	Plug Holding Case	1
7.	786RMBFCU90-91-07	Adaptor Lock	1
8.	786RMBFCU90-91-10	Screws (Clamp) 5mm	2
9.	786RMBFCU90-91-09	Screws (Housing) 5mm	4
10.	786RMBFCU90-91-08	Cable Holding Clamp	1
11.	786RMBFCU90-91-11	Screws (Lock) 5mm	2
12.	786RMBFCU90-91-12	Gasket	1
13.	786RMBFCU90-91-13	Safety Cap	1

Safety Features

- 🔧 Fingerproof Insulators to prevent accidental touching of power contacts.
- 🔧 Extra insulation for greater internal hi-port resistance
- 🔧 Extra tough and long lasting thread lock on lug screws hold tight during cyclic heating and cooling.

Durability & Reliability Features

PATENT pending contact system has self-aligning contacts that compensate for part to part variations & movements caused by structural loading.

- 🔧 Engineered non-corrosive spring insure excellent contact even after thousands of cycles in actual service.
- 🔧 Quad beam construction insures good electrical contact even with off-center loads.
- 🔧 Gentle lead-in angle protects receptacle pins and promotes long receptacle life.
- 🔧 Built-in stress sleeves limit contact deflection.
- 🔧 Silver-plated solid copper contacts assure low power loss and lower heat generation.
- 🔧 Contact system is designed to eliminate material stress relaxation.
- 🔧 No special tools required for assembly.