

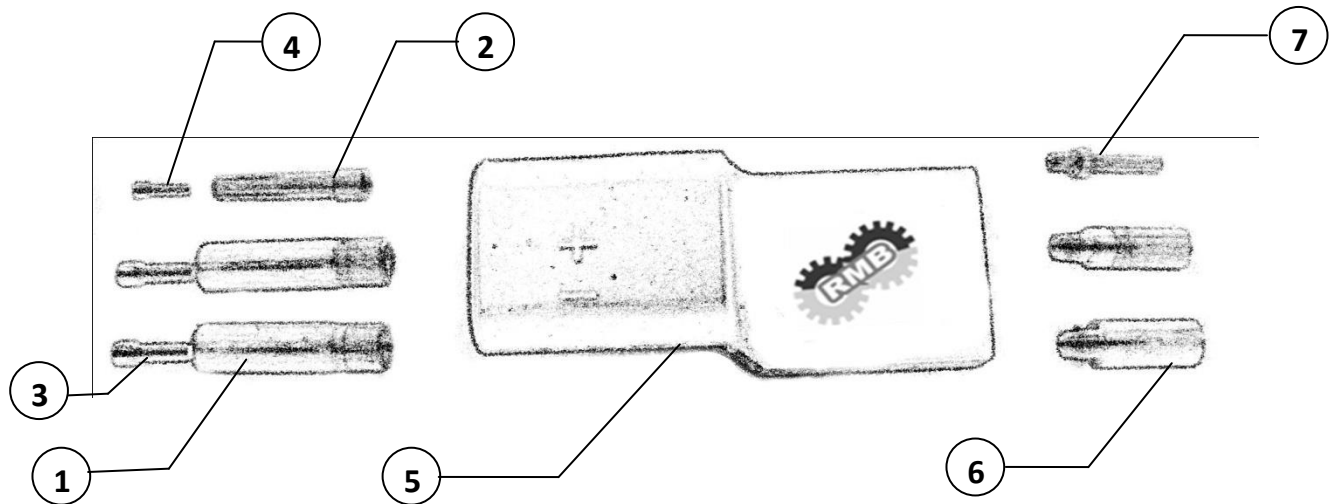


R.M.B Enterprises

A Name to Trust

DC Connector 28 VDC

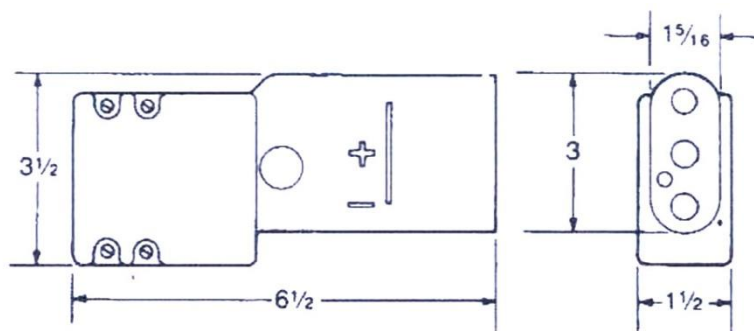
Part Nr. 786RMBFCU90-90



Advantages

- Extra Rugged Design
- Affordable- make your own or repair cable assemblies on line
- Silver Plated Quad beam copper contacts 1, 2, 3 are precisely set to ensure consistent mating forces over thousands of cycles.
- Floating contacts have Stainless Steel springs 2, 3 engineered to hold even on undersize pins and under extreme temperatures and loading.
- Plug body is molded from specially formulated high quality rubber with superior abrasion and chemical resistance.

Dimensions



ASSRA Lodge # 918/2, Abid Majeed Road. Rawalpindi Cantt 46000, Pakistan
Tel: 92-51-5585114, 5112764, Fax: +92-51-5518586
E-mail: info@rmb.com.pk, URL: www.rmb.com.pk



R.M.B Enterprises

A Name to Trust

Part List

| Sr. No. | Part Number | Description | Qty. |
|---------|-------------------|----------------------------------|----------|
| 1. | 786RMBFCU90-90-01 | <i>Power Conductor</i> | <i>2</i> |
| 2. | 786RMBFCU90-90-02 | <i>Interlock Conductor</i> | <i>1</i> |
| 3. | 786RMBFCU90-90-03 | <i>Power Conductor Screw</i> | <i>2</i> |
| 4. | 786RMBFCU90-90-04 | <i>Interlock Conductor Screw</i> | <i>1</i> |
| 5. | 786RMBFCU90-90-05 | <i>Rubber Adaptor</i> | <i>1</i> |
| 6. | 786RMBFCU90-90-06 | <i>Cable Lugs</i> | <i>2</i> |
| 7. | 786RMBFCU90-90-07 | <i>Signal Cable Logs</i> | <i>1</i> |

Safety Features

- ⚙ Finger proof Insulators to prevent accidental touching of power contacts.
- ⚙ Extra insulation for greater internal hi-port resistance
- ⚙ Extra tough and long lasting thread lock on lug screws hold tight during cyclic heating and cooling.

Durability & Reliability Features

PATENT pending contact system has self-aligning contacts that compensate for part to part variations & movements caused by structural loading.

- ⚙ Engineered non-corrosive spring insure excellent contact even after thousands of cycles in actual service.
- ⚙ Quad beam construction insures good electrical contact even with off-center loads.
- ⚙ Gentle lead-in angle protects receptacle pins and promotes long receptacle life.
- ⚙ Built-in stress sleeves limit contact deflection.
- ⚙ Silver-plated solid copper contacts assure low power loss and lower heat generation.
- ⚙ Contact system is designed to eliminate material stress relaxation.
- ⚙ No special tools required for assembly.

