

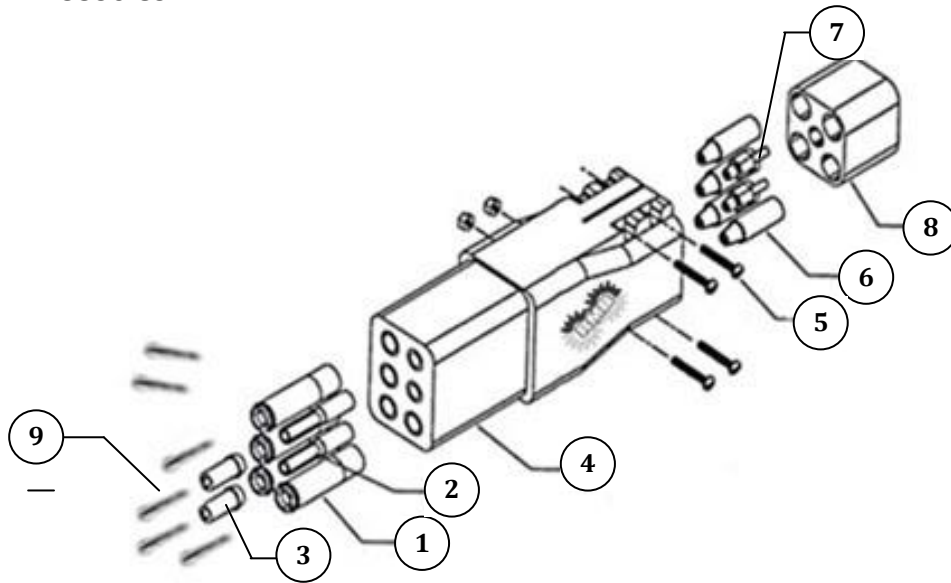


R.M.B Enterprises

A Name to Trust

AC Connector 115 VAC 400 Hz

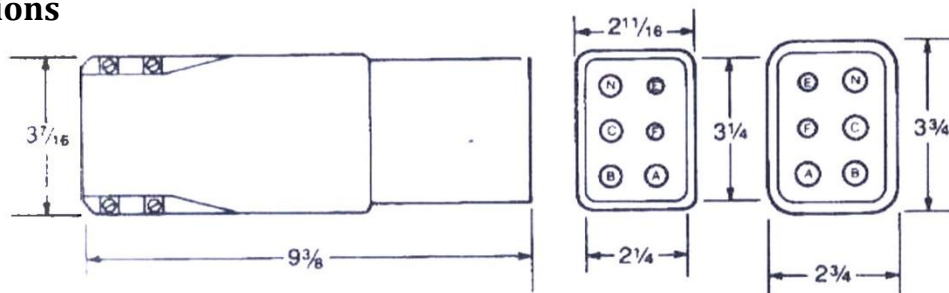
Part Nr. 786RMBFCU90-89



Advantages

- ♥ Extra Rugged Design
- ♥ Affordable- make your own or repair cable assemblies on line
- ♥ Silver Plated Quad beam copper contacts 1, 2, 3 are precisely set to ensure consistent mating forces over thousands of cycles.
- ♥ Floating contacts have Stainless Steel springs 2, 3 engineered to hold even on undersize pins and under extreme temperatures and loading.
- ♥ Plug body is molded from specially formulated high quality rubber with superior abrasion and chemical resistance.

Dimensions



ASSRA Lodge # 918/2, Abid Majeed Road, Rawalpindi Cantt 46000, Pakistan
Tel: 92-51-5585114, 5112764, Fax: +92-51-5518586
E-mail: info@rmb.com.pk, URL: www.rmb.com.pk



R.M.B Enterprises

A Name to Trust

Part List

Sr. No.	Part Number	Description	Qty.
1	786RMBFCU90-89-01	<i>Main Power Female Conductor</i>	4
2	786RMBFCU90-89-02	<i>Interlock Female Conductor</i>	2
3	786RMBFCU90-89-03	<i>Interlock Conductor Cover</i>	2
4	786RMBFCU90-89-04	<i>Adapter Housing</i>	1
5	786RMBFCU90-89-05	<i>Sealer Holding Screw</i>	4
6	786RMBFCU90-89-06	<i>Power Cable Lugs</i>	4
7	786RMBFCU90-89-07	<i>Signal Cable Lugs</i>	2
8	786RMBFCU90-89-08	<i>Sealing Pad</i>	1
9	786RMBFCU90-89-09	<i>Connecting Screw</i>	6

Safety Features

- 🔩 Fingerproof Insulators to prevent accidental touching of power contacts.
- 🔩 Extra insulation for greater internal hi-port resistance
- 🔩 Extra tough and long lasting thread lock on lug screws hold tight during cyclic heating and cooling.

Durability & Reliability Features

PATENT pending contact system has self-aligning contacts that compensate for part to part variations & movements caused by structural loading.

- 🔩 Engineered non-corrosive spring insure excellent contact even after thousands of cycles in actual service.
- 🔩 Quad beam construction insures good electrical contact even with off-center loads.
- 🔩 Gentle lead-in angle protects receptacle pins and promotes long receptacle life.
- 🔩 Built-in stress sleeves limit contact deflection.
- 🔩 Silver-plated solid copper contacts assure low power loss and lower heat generation.
- 🔩 Contact system is designed to eliminate material stress relaxation.
- 🔩 No special tools required for assembly.